

# Uniden®

## **iGO CAM 345** **Accident CAM** **Vehicle Recorder**

---

For more exciting new products please visit our website:  
Australia: [www.uniden.com.au](http://www.uniden.com.au)

---

# OWNER'S MANUAL

# Important Safety Instructions

---



**NOTE**

Uniden does not represent this product to be waterproof. Do not expose this product to Rain or Moisture.



**NOTE**

This product is intended for use in a motor vehicle. Don't install the device where it will block the driver's view of the road (including the mirrors!) or the deployment of the airbag.



**NOTE**

***Keep your attention on the road!*** Don't try to operate or focus on any device while driving. If you have to concentrate on a device, pull off the road for a few minutes.



**NOTE**

Ensure that the camera lens is kept clean and there is nothing blocking the lens.



**NOTE**

Don't leave the device in direct sunlight for a long period of time or where the temperature could go above 60°C.

# CONTENTS

<b>Important Safety Instructions</b> .....	<b>2</b>
<b>What Do I Do First?</b> .....	<b>4</b>
Make Sure These Items Arrived in the Box .....	4
<b>Controls &amp; Indicators</b> .....	<b>5</b>
<b>How Do I Put It in My Car?</b> .....	<b>7</b>
Attaching the Windshield Mount .....	7
Rear Camera .....	8
<b>Operation</b> .....	<b>9</b>
Micro SD Card .....	9
Plug it in, Power On/Off .....	10
Record Mode .....	11
Photo Mode .....	13
Playback Mode .....	14
Settings Menu .....	15
Connecting to a PC .....	15
Important Information .....	16
<b>Warranty</b> .....	<b>17</b>

# What Do I Do First?

---

## Make Sure These Items Arrived in the Box



iGO CAM 345



Windshield Mount



Rear/Reverse Cam



DC (CAR) Adaptor



USB Cable

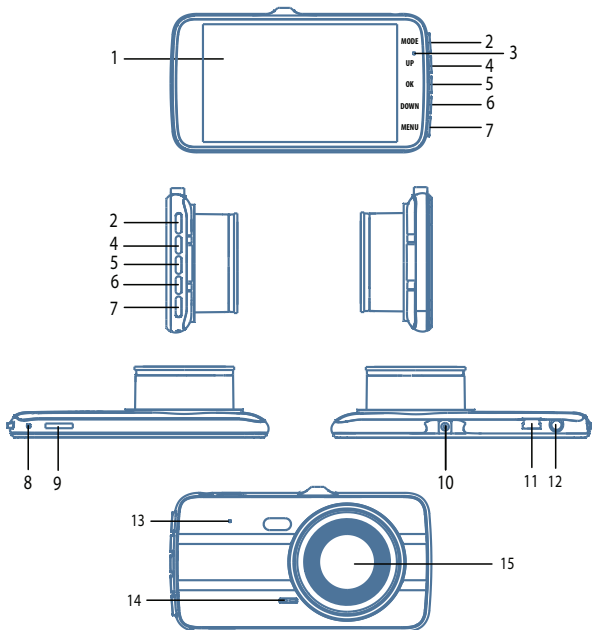
- Owner's Manual

- If any item is missing or damaged, contact your place of purchase immediately. ***Never use damaged products!***
- Need help? Get answers at our website: ***www.uniden.com.au*** for Australian model.

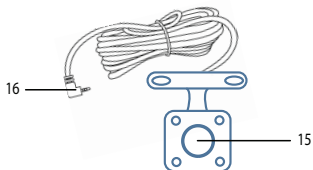
# Controls & Indicators

---

## Front Camera



## Rear/Reverse Camera



Ref	Component	Description
1	<b>LCD</b>	
2	<b>MODE</b>	While recording, press to lock the current recording from overwrite.  Use this button to shift between the Record, Photo and Playback mode.
3	<b>LED</b>	BLUE - (Glow) Standby (Flashing) recording
4	<b>UP</b>	In Menu list, move the cursor, one line up.  Switch display mode when rear camera is connected.
5	<b>OK/POWER</b>	In the Record mode, press this button to start/stop video recording.  Use this button to capture an image in the Photo mode.  Help confirm a menu selection.  Confirm changes in the settings.
6	<b>DOWN</b>	In Menu list, move the cursor, one line down  Turn on/off the audio recording.
7	<b>MENU</b>	In standby, open the Menu.
8	<b>MIC</b>	Records sound.
9	<b>Card Slot</b>	micro SD Card Slot
10	<b>Bracket Slot</b>	Fit the bracket hook of the windshield mount
11	<b>USB Port</b>	Connect External Power & charge battery  Connect to Windows PC for data (SD card) transfer
12	<b>AV IN</b>	Connect to the Rear/Reverse Camera.
13	<b>Reset</b>	If the device fails to operate, try resetting the device. Press the reset button using a fine pen or paperclip
14	<b>Speaker</b>	
15	<b>Lens</b>	
16	<b>AV Connector</b>	Connect to the front camera AV In Port.

# How Do I Put It in My Car?

---

## Attaching the Windshield Mount

1. Screw in the windshield mount into the bracket hole provided on the top of the unit.
2. Tighten the nut to locks in position.
3. Remove the plastic protective film on the suction cup. Press the suction cup flat against the windshield.
4. Push the suction lock up, until it snaps into place and tighten the locking collar to secure.
5. Gently pull on the mount to make sure it is secure.
6. Mount the rear/reverse camera as you desire. The two included screws will hold the camera in place.
7. Connect the AV cable from the rear camera to the front camera.
8. Arrange and hide the cables to avoid obstruction for the driver's view.
9. Adjust the viewing angle of the camera by loosening the screw of the bracket and fasten it back to secure the viewing angle. We recommend the camera should point slightly downwards  $\sim 10^\circ$  below eye level.



**NOTE**

Suction cups will not stick well on a curved/textured or wet surface. Ensure the suction cups surface is clean.



**NOTE**

Remove the suction cup protective film or the mount might not stick well.

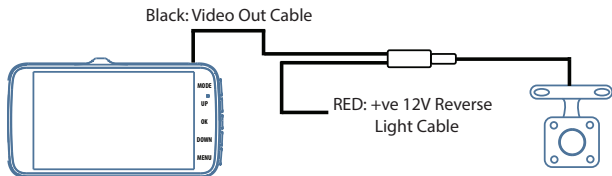
## Rear Camera

When the rear camera is connected to the Dash Cam and it is currently powered on, press the **UP** button to change the display mode. The recording resolution for the rear camera is 480P and the image is mirrored.

## Reverse Camera (Optional)

The rear camera also works as a reverse camera when you connect it to the reverse light power connector. After you set it up, when you put your vehicle in reverse, the reverse camera will be displayed on the Dash Cam.

To setup the rear camera, please follow the diagram below.



### NOTE

It is recommended to get vehicle electrician to hard wire the cable to the Reverse Light Power to use it as a reverse camera.



# Operation

---

## Micro SD Card



A compatible micro SD card (not supplied) is required to record and store videos and photos.

The unit can support micro SDHC cards (High Capacity SD) up to 32GB in capacity. A micro SDHC card of at least 4GB capacity and minimum Class 10 speed is recommended.

Insert a formatted micro SD card gently in the slot at the side of the unit. To remove the card from the slot, press the edge of the SD card inwards for it to pop out and then pull it out of the slot.

Uniden recommends using good quality SLC/MLC micro SD cards.

Please ensure that the micro SD card is rated for dash cam recording.

## Battery Information

Although primarily designed for in-car use, the unit can operate from its built-in battery for up to 10 minutes.

Please note, the power usage would depend on day/night recording and resolution setting.

The unit will charge the battery whenever power is detected through the USB port. When the unit is being charged, the Red LED will glow. The unit will take about 120 minutes to charge completely.



Please ensure that the battery is fully charged before using it for the first time. To extend the battery life, fully charge the unit once every 3 months.

## Plug it in, Power On/Off



### **NOTE**

When connected to a car charger with power, the unit will automatically power on and start recording.

1. Connect the DC car adaptor to the power connector (USB port) found on the device.
2. Connect the other end of the DC car adaptor to your car's cigarette lighter.
3. When connected to the car charger the unit will power on automatically and start recording. When the car's engine is turned off, the unit will automatically turn off in a few seconds.

At other times, press & hold the Power button to turn the unit on/off.



### **NOTE**

Only use the DC car adaptor that comes with your device. Any other adaptor might damage the device.

## Record Mode



### NOTE


To record a video, ensure that a valid SD card (not supplied) is inserted in the given slot. Also note, that inserting/removing the SD card when the unit is recording causes the device to shutdown.

### Recording

When connected to a car charger, the unit automatically goes into the record mode and starts recording.

A flashing red dot next at the top left corner indicates that the unit is recording. To stop recording, press **OK** and the red dot disappears, indicating that the recording has stopped.

### Protect Function to Protect the Current Recording

If you want to protect the current recordings, then press the **MODE** button, the  key icon will appear on the screen. This indicates that those recordings have been locked and will not be overwritten by new video clips.

## Menu Settings



### NOTE

Please note, you cannot access MENU when the unit is recording. To access the Menu, you will need to stop recording by pressing OK.

In the record, photo or playback mode, press the **MENU** button once to access the menu settings for that particular mode. Press **MENU** button again to display the Settings menu. Press the relevant **UP** and **DOWN** keys to scan through the various settings and then press **OK** to select.

Press the **MENU** button to exit the Menu.

Video Resolution	Set the video resolution. The maximum resolution is 1080P.
Loop Recording	Use this option to set the time duration for each recording.
Time Lapse Recording	<p>Time Lapse Recording helps you compress a long recording to just under a few seconds. By default, the option is turned off.</p> <p>The options available are Off, 100ms, 200ms and 500ms.</p> <p>For example, if you opt for 500ms, then an image is captured every 0.5 milliseconds. The captured images are then stitched together to playback a video.</p>
High Dynamic Range	Turn on/off the High Dynamic Range (HDR feature to improves the overall exposure throughout your entire image.
Exposure	Set the proper exposure level to adjust the brightness of the image.
Motion Detection	Enable this setting to allow the recorder to start recording when it detects movement.
Audio Recording	Use this setting to turn on/off the audio recording.
Date & Time Stamp	Use to display or hide the date and time stamp on the recordings.
G Sensor	This feature detects significant or sudden movement and automatically locks the current recording.
Parking Mode	Parking Mode is off by default. You can switch it on to allow G Sensor to detect impact on your parked vehicle when the unit is off. The unit will turn on and start recording for a short period of time.
Headlight Reminder	Enable to prompt you to turn your lights on when your surroundings are dim

## Photo Mode

- In Record mode (when the device is not recording), press the **MODE** button to enter Photo mode.
- Now, press the **OK** button to take a photo.

## Menu Settings

Timer	Set the time gap for capturing an image. For example, if you select 2s, then that will be the delay between the <b>OK</b> button being pressed and the image being captured.
Resolution	Define the image resolution.
Burst Mode	The camera goes into a continuous shooting mode when this option is activated and you get up to 5 shots in one click.
Image Quality	Use to define the quality of the images you want to capture.
White Balance	Establish the condition to capture an image, from the options given.
Colour	Enable you to capture colour, black and white or sepia picture.
ISO	Use this setting, to increase or decrease the sensitivity of the camera towards light.
Exposure	Set the brightness sensitivity.
Image Stabiliser	Activate this to reduce the camera shake and capture a better quality image.
Quick Review	Set the timer to review the image after its taken.
Date Stamp	Enable/Disable the date and time on the image files.

## Playback Mode

- In Photo mode, press the **MODE** button to enter Playback mode. .
- Press the **UP** and **DOWN** keys to scan through the various video/image files.
- Press and hold **UP** key to switch between front and rear camera playback folder.

When in the Playback mode, press the **MENU** button to get the following options:

- Delete
- Image Protection
- Slideshow

### Delete

Select this setting by using the relevant **UP/DOWN** key and press **OK**. The following options are displayed on the screen - Delete Selected File? and Delete All Files?. Choose the option, based on whether you want to delete the current file or all the files (both recordings and images) on the SD card.

### Image Protection

Select this setting by using the relevant **UP/DOWN** key and press **OK**. The following options are displayed on the screen - Lock Selected File, Unlock Selected File, Lock All Files, Unlock All Files. Choose the option, based on whether you want to lock/unlock the files on the SD card, and then press **OK**.

### Slideshow

Select the preview time and the photos and the first frame of each video will be shown in order.

## Settings Menu

In any of the modes (record, photo or playback), press the Menu button twice to open the settings menu.

<b>LCD Auto Off</b>	Set the timer to automatically turn off the LCD after the recording starts.
<b>Auto Power Off</b>	Set the time duration to automatically power off the unit when the device is idle.
<b>Anti-flicker</b>	Under this setting you have the option to choose between 50Hz or 60Hz. Select the relevant option and press OK.
<b>Key Beep</b>	Turns the sound on or off for each time a button is pressed.
<b>Date &amp; Time</b>	Change the date and time by using the relevant UP and DOWN keys, and then press OK to confirm.
<b>Format SD Card</b>	Use this option to format the SD card.
<b>Factory Default Setting</b>	Use this option to change all the settings back to the default factory settings.
<b>Information</b>	Display the unit firmware version.

## Connecting to a PC

The iGO CAM 345 can be connected to a Windows PC (using the supplied USB cable).

When the unit is connected to the PC, the following options - Mass Storage, PC Camera, REC\_mode - are displayed on the unit's screen.

Select the option Mass Storage to manage and view the SD card contents on the PC. When the unit is detected on the PC as an external drive, select to view the DCIM folder. Each folder will then contain the recordings for that particular day.



**NOTE**

Apple Mac devices would not be able to detect the camera as an external drive. You will need to remove the SD card and read the files directly from the SD card.

# Important Information

## Solving Problems

Listed below are some of the problems and the possible solutions. If you still need help, visit our website, listed on the front cover.

General Problems	Possible Solutions
The unit cannot take photos or record videos  The unit automatically stops when recording	<ul style="list-style-type: none"><li>• Ensure that the SD card is formatted properly and inserted correctly.</li><li>• Use the recommended type of SD card (minimum 4GB Class 4)</li></ul>
Video is unclear	Ensure that there are no fingerprints or dirt on the lens. Ensure that the lens is always kept clean.
Dark images while recording water/sky	Adjust the EV setting.
Colour of the images is not good	Set the 'white balance' setting to automatic.
Cross-stripe interference in an image	This is due to the light frequency. Change the light frequency depending on the local power supply.
The unit crashes	Press and hold the 'Reset' button, with a pin, to restart the unit.



# Warranty

---

## UNIDEN iGO CAM 345

**IMPORTANT: Satisfactory evidence of the original purchase is required for warranty service**

Please refer to our Uniden website for any details or warranty durations offered in addition to those contained below.

**Warrantor:** The warrantor is Uniden Australia Pty Limited ABN 58 001 865 498 (“Uniden Aust”).

**Terms of Warranty:** Uniden Aust warrants to the original retail purchaser only that the iGO CAM 345 (“the Product”), will be free from defects in materials and craftsmanship for the duration of the warranty period, subject to the limitations and exclusions set out below.

**Warranty period:** This warranty to the original retail purchaser is only valid in the original country of purchase for a Product first purchased either in Australia or New Zealand and will expire one (1) year from the date of the original retail sale.

If a warranty claim is made, this warranty will not apply if the Product is found by Uniden to be:

- (A) Damaged or not maintained in a reasonable manner or as recommended in the relevant Uniden Owner’s Manual;
- (B) Modified, altered or used as part of any conversion kits, subassemblies or any configurations not sold by Uniden Aust;
- (C) Improperly installed contrary to instructions contained in the relevant Owner’s Manual
- (D) Repaired by someone other than an authorized Uniden Repair Agent in relation to a defect or malfunction covered by this warranty; or
- (E) Used in conjunction with any equipment, parts or a system not manufactured by Uniden.

**Parts Covered:** This warranty covers the Product and included accessories.

**User-generated Data:** This warranty does not cover any claimed loss of or damage to user-generated data (including but without limitation phone numbers, addresses and images) that may be stored on your Product.

**Statement of Remedy:** If the Product is found not to conform to this warranty as stated above, the Warrantor, at its discretion, will either repair the defect or replace the Product without any charge for parts or service. This warranty does not include any reimbursement or payment of any consequential damages claimed to arise from a Product's failure to comply with the warranty.

Our goods come with guarantees that cannot be excluded under the Australian Consumer Law. You are entitled to a replacement or refund for a major failure and for compensation for any other reasonably foreseeable loss or damage. You are also entitled to have the goods repaired or replaced if the goods fail to be of acceptable quality and the failure does not amount to a major failure.

This warranty is in addition to and sits alongside your rights under either the COMPETITION AND CONSUMER ACT 2010 (Australia) or the CONSUMER GUARANTEES ACT (New Zealand) as the case may be, none of which can be excluded.

**Procedure for obtaining warranty service:** Depending on the country in which the Product was first purchased, if you believe that your Product does not conform with this warranty, you should deliver the Product, together with satisfactory evidence of your original purchase (such as a legible copy of the sales docket) to Uniden at the address shown below. You should contact Uniden regarding any compensation that may be payable for your expenses incurred in making a warranty claim. Prior to delivery, we recommend that you make a backup copy of any phone numbers, images or other data stored on your Product, in case it is lost or damaged during warranty service.

**UNIDEN AUSTRALIA PTY LTD**

Phone: 1300 366 895

Email: [custservice@uniden.com.au](mailto:custservice@uniden.com.au)



**Uniden®**

© 2019 Uniden Australia Pty Limited.  
Printed in PRC v1.0